

EOA Tooling, Robot Dress Out and System Accessories



**2-Part Valve EOA Tooling with
Temperature Controlled Hoses**



**Dual Gun
Tooling and
Dress-Out**

Standard and Custom Products

- ▶ Dispense valve and EOA meter tooling designs engineered for motion and fixed dispense processes
- ▶ Dual valve tooling for common or different 1-part and 2-part materials and different nozzle/tip designs
- ▶ Robot EOA and pedestal mount assemblies
- ▶ Robotic dress out and dispense accessories



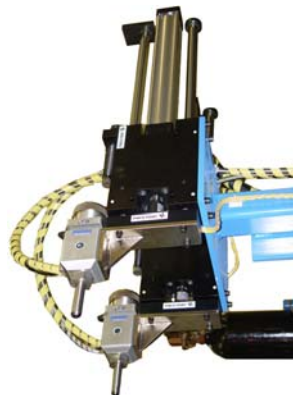
XYZ Tooling



EOA Meter Tooling and Dress-Out



Semi-Automation Tooling

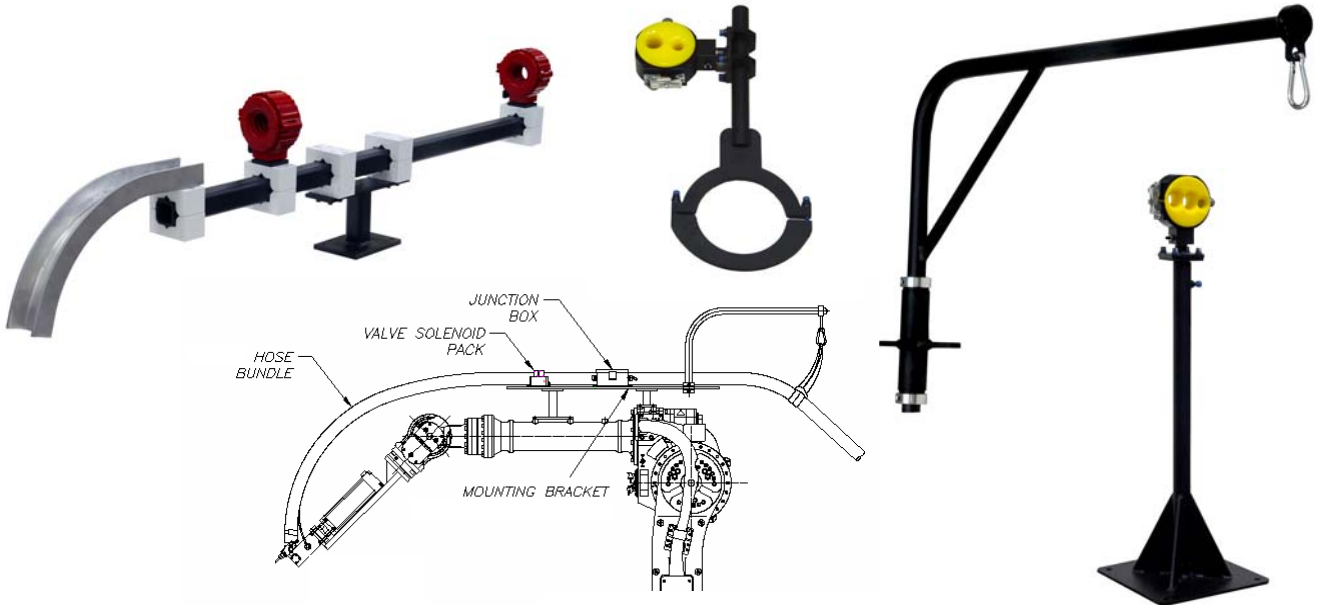


Dual Z-Axis Valves on Pedestal



Mini-Robot Tooling and Dress-Out

Robot Tooling, Dress-Out & Accessories



Engineered Dress Out Assemblies and Available Accessories



Purge Station Assembly



Integrated Vision Tooling



Z-Axis Robot Tooling

Form RTA-04-001 Rev. A